

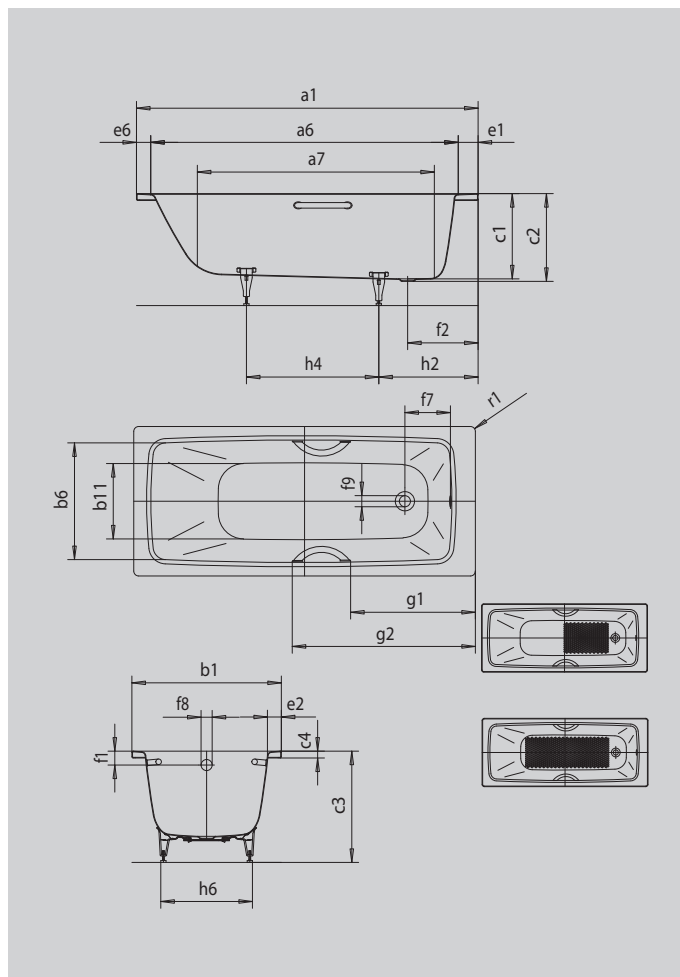
CAYONO

CAYONO STAR

- one-seater bath with waste at foot end
- independent Anti-slip design
- modern rectangular bathtub with spacious interior of the tub
- also available with grips
- made of KALDEWEI steel enamel



Similar illustration



Model		747
External length	a_1	1500 mm
Internal length (top)	a_6	1310 mm
Internal length (bottom)	a_7	1010 mm
External width	b_1	700 mm
Internal width (top)	b_6	570 mm
Internal width (bottom)	b_{11}	400 mm
Depth inside	c_1	400 mm
Depth incl. waste hole	c_2	410 mm
Height with feet	c_3	535 - 555 mm
Height of rim	c_4	32 mm
Width of rim (foot end; long side; head end)	e_1, e_2, e_6	110; 63; 80 mm
Distance top edge to centre of overflow hole	f_1	65 mm
Distance bath edge to centre of waste hole	f_2	330 mm
Distance centre of waste hole to centre of overflow hole	f_7	213 mm
Diameter of overflow hole	f_8	Ø 52 mm
Diameter of waste hole	f_9	Ø 52 mm
Distance foot end of bath edge to centre of foot	h_2	450 mm
Distance between the feet	h_4	560 mm
Width of feet max.	h_6	435 mm
External radius	r_1	23 mm
Water volume		89 l
Net weight		43 kg
Anti-slip		455 x 315 mm
Full anti-slip		655 x 315 mm

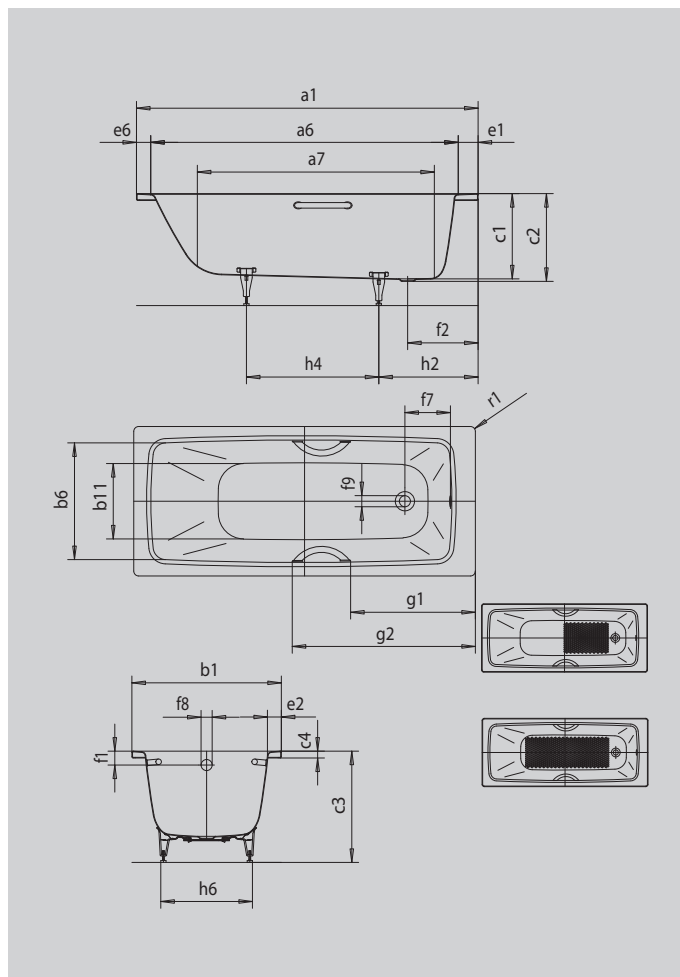
CAYONO

CAYONO STAR

- one-seater bath with waste at foot end
- independent Anti-slip design
- modern rectangular bathtub with spacious interior of the tub
- also available with grips
- made of KALDEWEI steel enamel



Similar illustration



Model		748
External length	a_1	1600 mm
Internal length (top)	a_6	1410 mm
Internal length (bottom)	a_7	1110 mm
External width	b_1	700 mm
Internal width (top)	b_6	570 mm
Internal width (bottom)	b_{11}	400 mm
Depth inside	c_1	400 mm
Depth incl. waste hole	c_2	410 mm
Height with feet	c_3	543 - 563 mm
Height of rim	c_4	32 mm
Width of rim (foot end; long side; head end)	$e_1; e_2; e_6$	110; 63; 80 mm
Distance top edge to centre of overflow hole	f_1	65 mm
Distance bath edge to centre of waste hole	f_2	330 mm
Distance centre of waste hole to centre of overflow hole	f_7	213 mm
Diameter of overflow hole	f_8	Ø 52 mm
Diameter of waste hole	f_9	Ø 52 mm
Distance foot end of bath edge to centre of foot	h_2	450 mm
Distance between the feet	h_4	655 mm
Width of feet max.	h_6	430 mm
External radius	r_1	8 mm
Water volume		107 l
Net weight		45 kg
Anti-slip		455 x 315 mm
Full anti-slip		735 x 315 mm

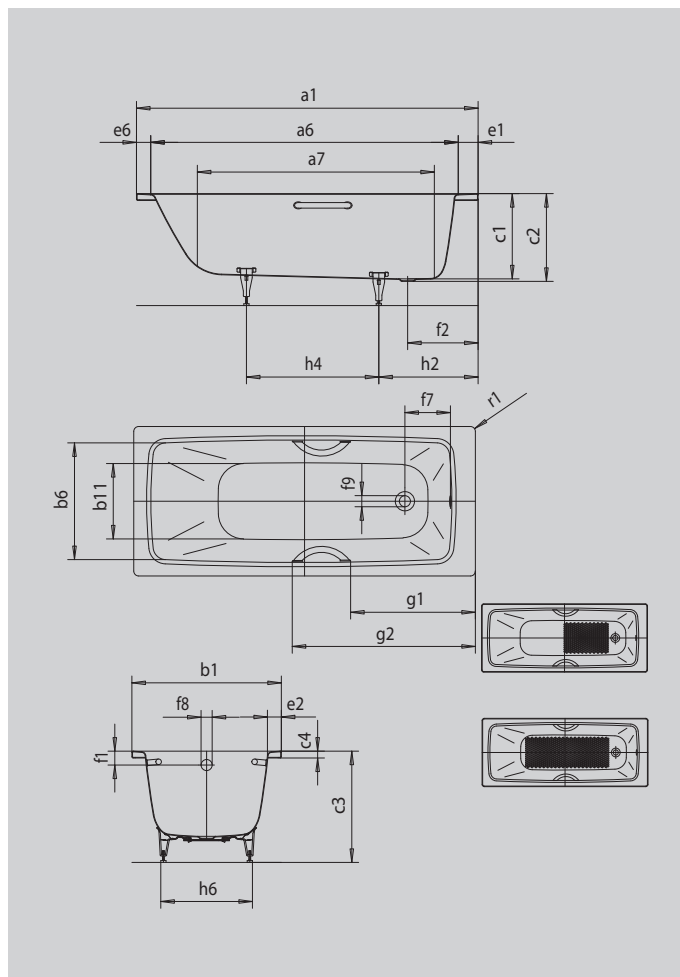
CAYONO

CAYONO STAR

- one-seater bath with waste at foot end
- independent Anti-slip design
- modern rectangular bathtub with spacious interior of the tub
- also available with grips
- made of KALDEWEI steel enamel



Similar illustration



Model		749
External length	a ₁	1700 mm
Internal length (top)	a ₆	1510 mm
Internal length (bottom)	a ₇	1210 mm
External width	b ₁	700 mm
Internal width (top)	b ₆	570 mm
Internal width (bottom)	b ₁₁	400 mm
Depth inside	c ₁	400 mm
Depth incl. waste hole	c ₂	410 mm
Height with feet	c ₃	537 - 559 mm
Height of rim	c ₄	32 mm
Width of rim (foot end; long side; head end)	e ₁ ; e ₂ ; e ₆	110; 63; 80 mm
Distance top edge to centre of overflow hole	f ₁	65 mm
Distance bath edge to centre of waste hole	f ₂	330 mm
Distance centre of waste hole to centre of overflow hole	f ₇	213 mm
Diameter of overflow hole	f ₈	Ø 52 mm
Diameter of waste hole	f ₉	Ø 52 mm
Distance foot end of bath edge to centre of foot	h ₂	455 mm
Distance between the feet	h ₄	742 mm
Width of feet max.	h ₆	440 mm
External radius	r ₁	8 mm
Water volume		110 l
Net weight		48 kg
Anti-slip		455 x 315 mm
Full anti-slip		855 x 315 mm

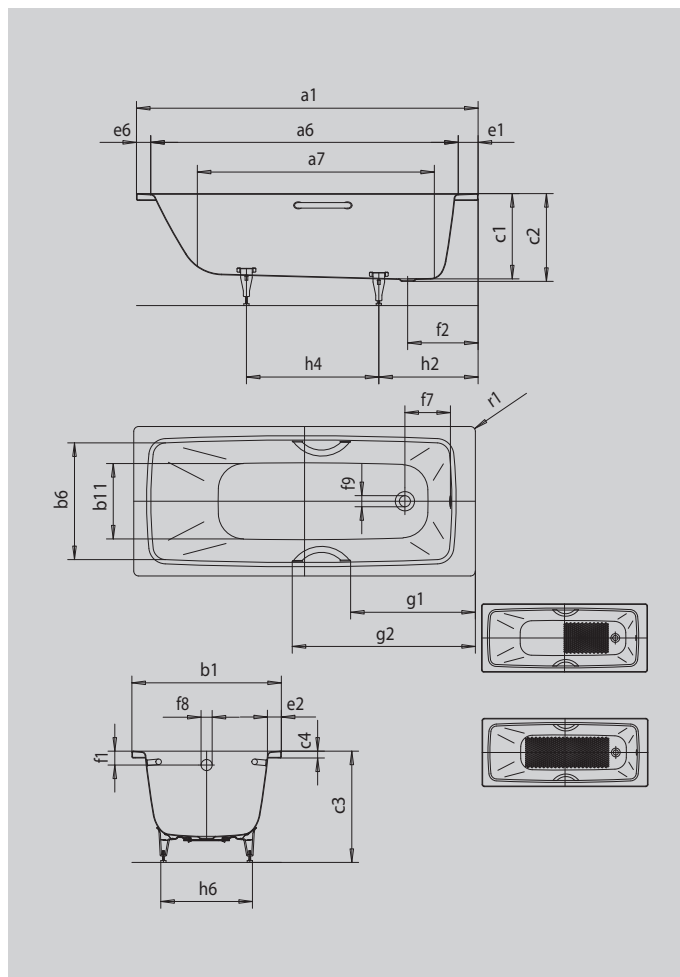
CAYONO

CAYONO STAR

- one-seater bath with waste at foot end
- independent Anti-slip design
- modern rectangular bathtub with spacious interior of the tub
- also available with grips
- made of KALDEWEI steel enamel



Similar illustration



Model		749
External length	a ₁	1700 mm
Internal length (top)	a ₆	1510 mm
Internal length (bottom)	a ₇	1210 mm
External width	b ₁	700 mm
Internal width (top)	b ₆	570 mm
Internal width (bottom)	b ₁₁	400 mm
Depth inside	c ₁	400 mm
Depth incl. waste hole	c ₂	410 mm
Height with feet	c ₃	537 - 559 mm
Height of rim	c ₄	32 mm
Width of rim (foot end; long side; head end)	e ₁ ; e ₂ ; e ₆	110; 63; 80 mm
Distance top edge to centre of overflow hole	f ₁	65 mm
Distance bath edge to centre of waste hole	f ₂	330 mm
Distance centre of waste hole to centre of overflow hole	f ₇	213 mm
Diameter of overflow hole	f ₈	Ø 52 mm
Diameter of waste hole	f ₉	Ø 52 mm
Distance foot end of bath edge to centre of foot	h ₂	455 mm
Distance between the feet	h ₄	742 mm
Width of feet max.	h ₆	440 mm
External radius	r ₁	8 mm
Water volume		110 l
Net weight		48 kg
Anti-slip		455 x 315 mm
Full anti-slip		855 x 315 mm

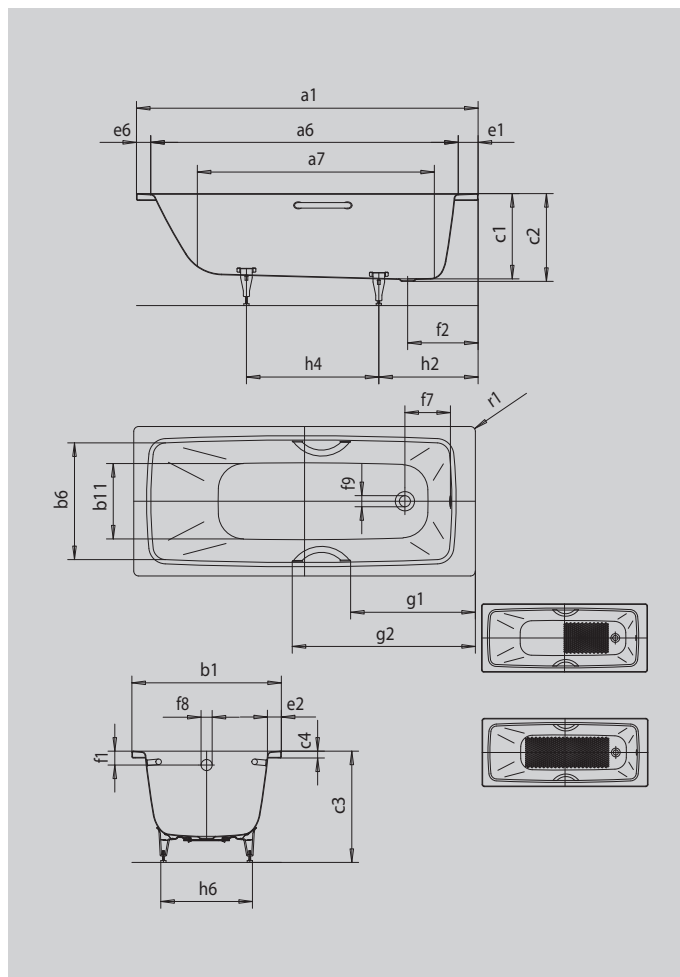
CAYONO

CAYONO STAR

- one-seater bath with waste at foot end
- independent Anti-slip design
- modern rectangular bathtub with spacious interior of the tub
- also available with grips
- made of KALDEWEI steel enamel



Similar illustration



Model		751
External length	a ₁	1800 mm
Internal length (top)	a ₆	1610 mm
Internal length (bottom)	a ₇	1310 mm
External width	b ₁	800 mm
Internal width (top)	b ₆	660 mm
Internal width (bottom)	b ₁₁	510 mm
Depth inside	c ₁	400 mm
Depth incl. waste hole	c ₂	410 mm
Height with feet	c ₃	528 - 543 mm
Height of rim	c ₄	32 mm
Width of rim (foot end; long side; head end)	e ₁ ; e ₂ ; e ₆	110; 63; 80 mm
Distance top edge to centre of overflow hole	f ₁	65 mm
Distance bath edge to centre of waste hole	f ₂	330 mm
Distance centre of waste hole to centre of overflow hole	f ₇	213 mm
Diameter of overflow hole	f ₈	Ø 52 mm
Diameter of waste hole	f ₉	Ø 52 mm
Distance foot end of bath edge to centre of foot	h ₂	450 mm
Distance between the feet	h ₄	820 mm
Width of feet max.	h ₆	560 mm
External radius	r ₁	8 mm
Water volume		171 l
Net weight		57 kg
Pedestal		5037
Anti-slip		575 x 375 mm
Full anti-slip		935 x 375 mm