

**HANSAUNITA**  
**SHOWER FAUCET**  
**58130001**  
**EAN: 4015474255630**



- Bathroom, Shower
- Thermostatic
- Chrome
- Temperature control handle, Flow control handle, Eco feature for water flow
- Adjustable hot water stop (retrofittable), Safety stop against scalding at 38°C
- Thermostatic cartridge for automatic temperature control, Litter filter(s), Ceramic head part for flow control, Non-return valve(s)
- Body made of DZR brass
- protected against back-flow in domestic use (according to DIN EN 1717)

## Technical data

### Flow properties

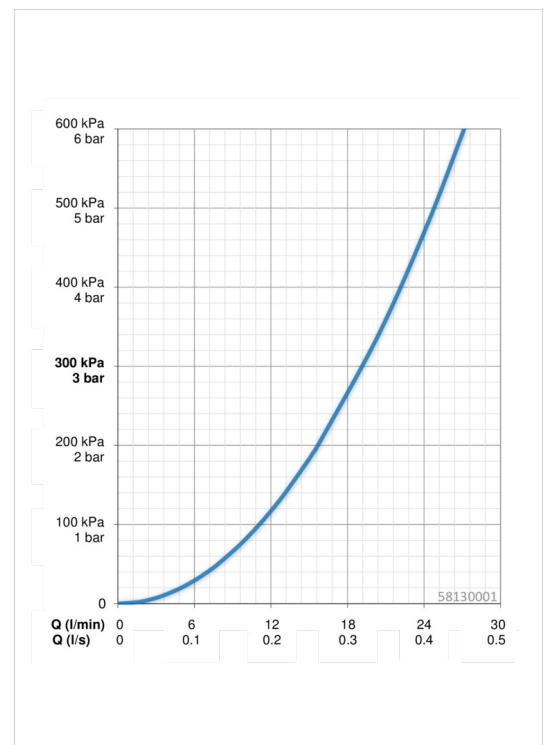
Flow-rate at 3 bar **19.2 l/min**

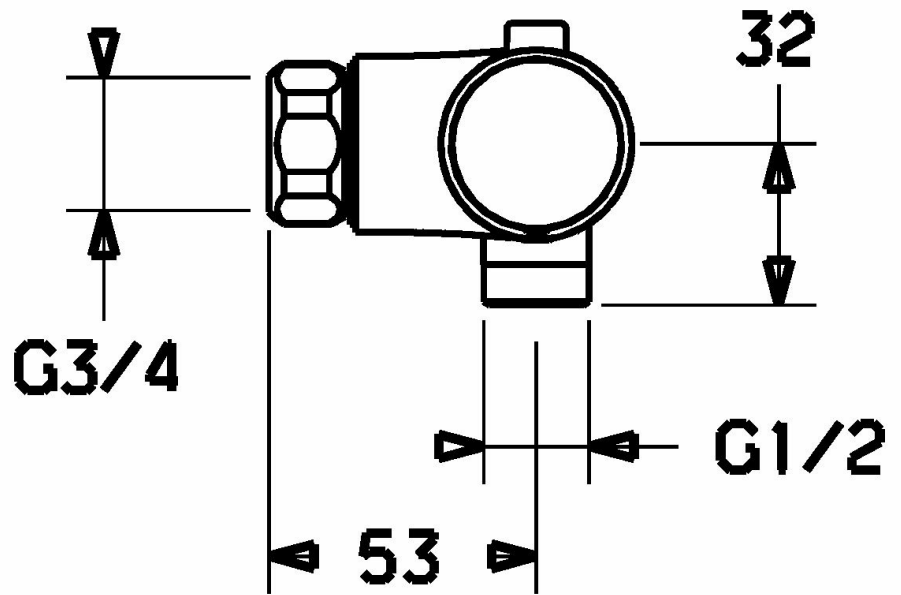
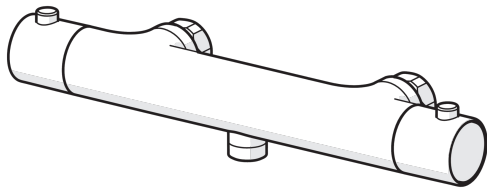
### Technical properties

DN-size (nominal dimension) **DN15**  
 Hot water supply **max. +90°C**  
 Working pressure **1-10 bar**

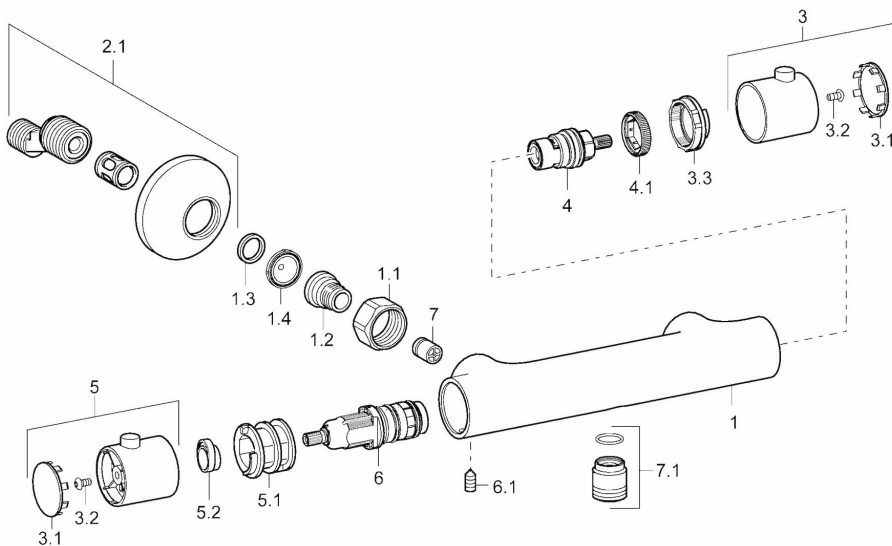
### Regulations

EN standard **EN 1111**  
 Noise class **I (ISO 3822)**





### Spare parts



### SP58130301

Name	Code
1.1 Connection nut, G3/4, AF 30	59902230
1.2 Nipple	59911075
1.3 Sealing kit, 23.9x15.2x2	59902689
1.4 Filter sealing	59911076
2.1 Eccentric	59913870
3 Flow control handle	59913854
3.1 Cover	59913850
3.2 Screw, M4x8	59913851
3.3 Temperature adjustment limiter	59913465
4 Headpart, 1/2", 180°	59911103
4.1 Ring	59913469
5 Temperature control handle	59913852
5.1 Temperature adjustment limiter	59913853
5.2 Temperature adjustment limiter	59913825
6 Thermostatic cartridge, 2.7	59913823
6.1 Screw, M6 x 9,5	59901609
7 Non-return valve	59905714
7.1 Thread nipple, G 1/2 x M 18 x 1	59911384
N.I. Non-return valve, DN10 (2016-)	59914425